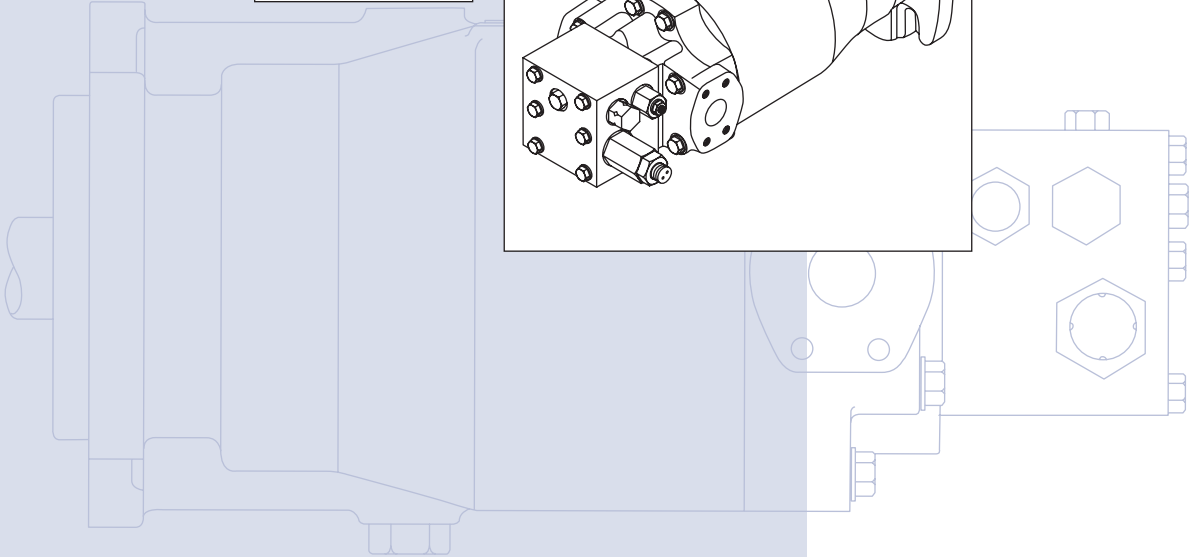
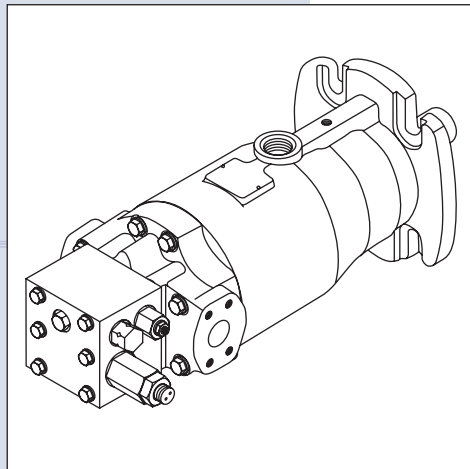
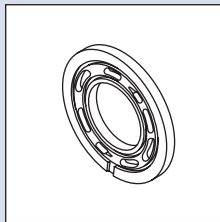
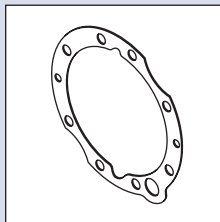
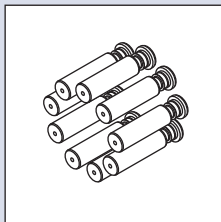




Series 20
20 thru 27 Series
Fixed Displacement
Motors

Quick Reference
Service Parts
Manual





Series 20, 20 thru 27 Series Fixed Displacement Motors Quick Reference Service Parts Manual

© 1992, 2003 Sauer-Danfoss. All rights reserved. Printed in U.S.A.

Sauer-Danfoss accepts no responsibility for possible errors in catalogs, brochures and other printed material. Sauer-Danfoss reserves the right to alter its products without prior notice. This also applies to products already ordered provided that such alterations aren't in conflict with agreed specifications. All trademarks in this material are properties of their respective owners. Sauer-Danfoss and the Sauer-Danfoss logotype are trademarks of the Sauer-Danfoss Group.

Front cover illustrations: P100 661, P100 662, P100 663, P100 665



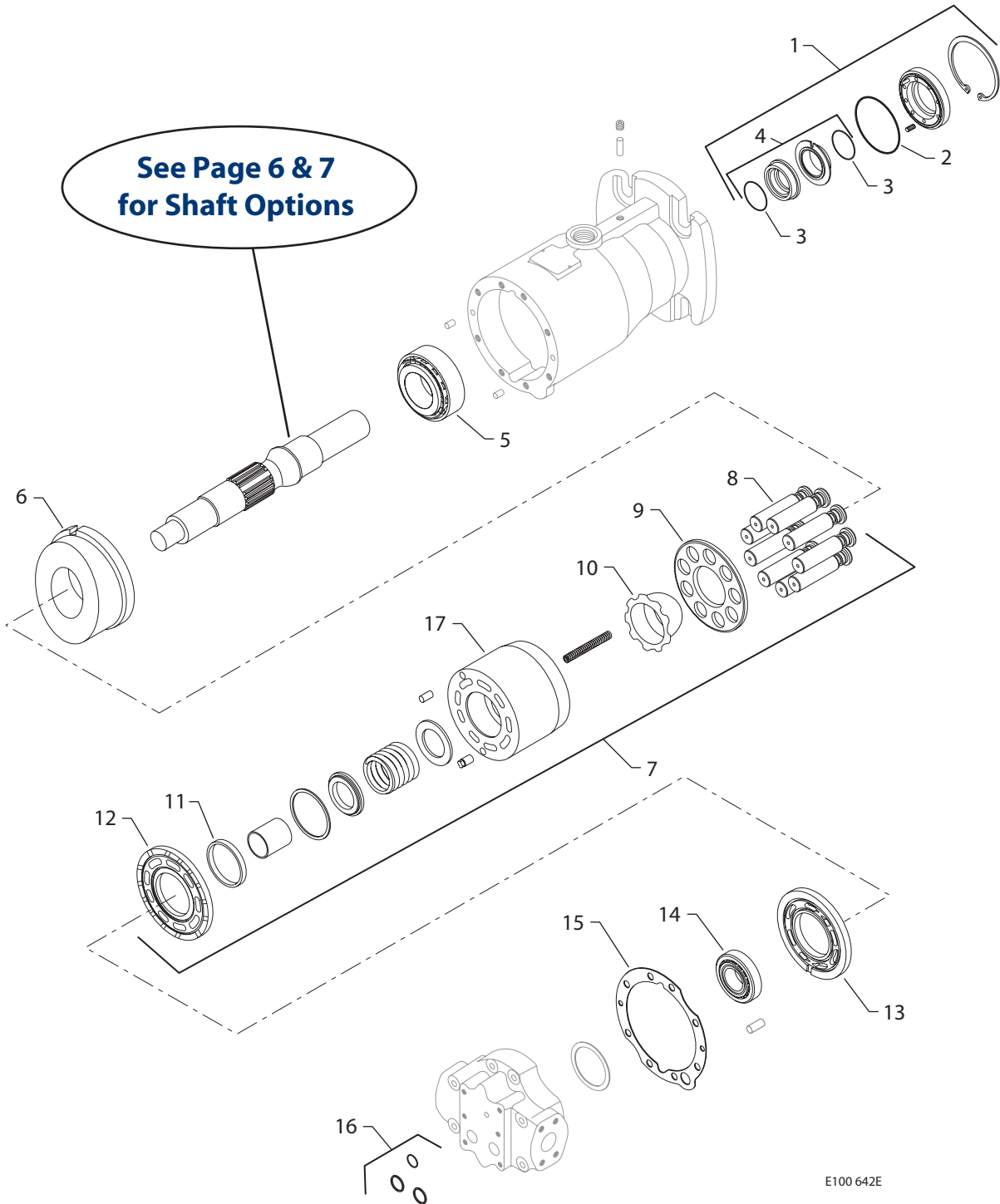
Series 20, 20 thru 27 Series Fixed Displacement Motors
Quick Reference Service Parts Manual
Contents

SERVICE PARTS

Exploded view drawing4
Service parts.....5

DRIVE SHAFTS

20 Series.....6
21 Series.....6
22 Series.....6
23 Series.....6
24 Series.....6
25 Series.....6
26 Series.....7
27 Series.....7



SERVICE PARTS

#	Discription	20 Series	21 Series	22 series	23 Series	24 Series	25 Series	26 Series	27 Series
	Overhaul seal kit	9510225	9510228	9510231	9510234	9510237	9510240	9510317	9510243
1	Shaft seal kit	9510189	9510189	9510189	9510190	9510190	9510190	9510275	9510191
2	O-ring	9004100-2340	9004100-2340	9004100-2340	9004100-2380	9004100-2380	9004100-2380	9004100-2420	9004100-2430
3	O-ring	9004104-1290	9004104-1290	9004104-1290	9004104-1360	9004104-1360	9004104-1360	9004104-1440	9004104-1490
4	Seal kit	9510022	9510022	9510022	9510021	9510021	9510021		
5	Front bearing kit	9510251	9510251	9510256	9510259	9510259	9510264	9510267	9510270
6	Swshplate, 18°	2717	512504	508383	512505	9240142	9250646	9260150	9270483
7	Cylinder block kit	510149	9210696	9221448	9230973	9240641	9250685	9260369	9270658
8	Piston kit, set of 3	501528	9510408-0010	9510408-0001	9510408-0002	9510408-0004	9510408-0005	9510408-0006	9510408-0009
	Remanufactured	711291	R9510408-0010	R9510408-0001	R9510408-0002	R9510408-0004	R9510408-0005	R9510408-0006	R9510408-0009
9	Slipper retainer	2667	9210292	9220628	9230234	9240125	9250170	9260072	9270486
10	Slipper ret. guide	2642	9210219	9220500	9230158	9240097	9250073	9260047	9270105
11	Pilot ring	2709	010678	013862	004325	702381	634907	634915	634899
12	Bearing plate	2733	9210658	9221335	9230881	9240560	9250627	9260321	9270657
13	Valve plate	2907	9210480	9220992	9230562	9240279	9250629	9260357	9270655
14	Rear bearing kit	9510250	9510253	9510255	9510258	9510261	9510263	9510266	9510386
15	End cap gasket	9200088	9210204	9221337	9230127	9240549	9250587	9260144	9270710
16	Manifold O-ring kit	9510049	9510049	9510049	9510049	9510049	9510049	9510049	9510049
17	Cylinder block	49155	9210576	9221102	9230651	9240394	9250470	9260231	9270495
	Remanufactured		R9210576	R9221102	R9230651	R9240394	R9250470	R9260231	R9270495

20 SERIES

Part Number	Description
78865	14 tooth spline
708404	20 tooth spline
2873	21 tooth spline with .335" drilled hole
708412	Straight key, 3/8-24 UNF-2B threaded hole
9003261-3132	Key, 5/16 x 5/16 x 2 1/2

21 SERIES

9210468	14 tooth spline
9210708	21 tooth spline, 3/8-24 UNF-2B threaded hole
9210547	Straight key, 3/8-24 UNF-2B threaded hole
9003261-3132	Key, 5/16 x 5/16 x 2 1/2

22 SERIES

9220976	14 tooth spline
9220516	19 tooth spline
9220530	20 tooth spline, 3/8-24 UNF-2B threaded hole
9220399	21 tooth spline
9221094	Straight key, 3/8-24 UNF-2B threaded hole
9003261-3132	Key, 5/16 x 5/16 x 2 1/2

23 SERIES

9230476	14 tooth spline
9230325	21 tooth spline
9230173	23 tooth spline, 3/8-24 UNF-2B threaded hole
9230739	23 tooth spline, special spline length - 1.69"
9230147	27 tooth spline with 3/8-24 UNF-2B threaded hole
9230626	Straight key with 3/8-24 UNF-2B threaded hole, gear charge pump
9003261-3132	Key, 3/8 x 3/8 x 2 1/2

24 SERIES

9240216	13 tooth spline
9240232	27 tooth spline, 1/2-20 UNF-2B threaded hole
9240316	Straight key, 1/2-20 UNF-2B threaded hole
9003261-3732	Key, 3/8 x 3/8 x 2 1/2

25 SERIES

9250379	13 tooth spline
9250408	13 tooth spline, special spline length - 6.59"
9250348	27 tooth spline, .465" drilled hole
9250415	Straight key with 1/2-20 UNF-2B threaded hole
9003261-3732	Key, 3/8 x 3/8 x 2 1/2



Series 20, 20 thru 27 Series Fixed Displacement Motors
Quick Reference Service Parts Manual
Drive shafts

26 SERIES

9260151	13 tooth spline
9260198	27 tooth spline, .465" drilled hole
9260181	Straight key with 1/2-20 UNF-2B threaded hole
9003261-5040	Key, 1/2 x 1/2 x3 1/2

27 SERIES

9270423	15 tooth spline
9270148	40 tooth spline, .571" drilled hole
9270451	Straight key, 5/8-18 UNF-2B threaded hole
9003261-6244	Key, 5/8 x 5/8 x4



OUR PRODUCTS

Hydrostatic transmissions
Hydraulic power steering
Electric power steering
Electrohydraulic power steering
Closed and open circuit axial piston pumps and motors
Gear pumps and motors
Bent axis motors
Orbital motors
Transit mixer drives
Planetary compact gears
Proportional valves
Directional spool valves
Cartridge valves
Hydraulic integrated circuits
Hydrostatic transaxles
Integrated systems
Fan drive systems
Electrohydraulics
Microcontrollers and software
Electric motors and inverters
Joysticks and control handles
Displays
Sensors

Sauer-Danfoss Mobile Power and Control Systems – Market Leaders Worldwide

Sauer-Danfoss is a comprehensive supplier providing complete systems to the global mobile market.

Sauer-Danfoss serves markets such as agriculture, construction, road building, material handling, municipal, forestry, turf care, and many others.

We offer our customers optimum solutions for their needs and develop new products and systems in close cooperation and partnership with them.

Sauer-Danfoss specializes in integrating a full range of system components to provide vehicle designers with the most advanced total system design.

Sauer-Danfoss provides comprehensive worldwide service for its products through an extensive network of Authorized Service Centers strategically located in all parts of the world.

Sauer-Danfoss (US) Company
2800 East 13th Street
Ames, IA 50010, USA
Phone: +1 515 239-6000, Fax: +1 515 239 6618

Sauer-Danfoss (Neumünster) GmbH & Co. OHG
Postfach 2460, D-24531 Neumünster
Krokamp 35, D-24539 Neumünster, Germany
Phone: +49 4321 871-0, Fax: +49 4321 871 122

Sauer-Danfoss (Nordborg) A/S
DK-6430 Nordborg, Denmark
Phone: +45 7488 4444, Fax: +45 7488 4400

www.sauer-danfoss.com