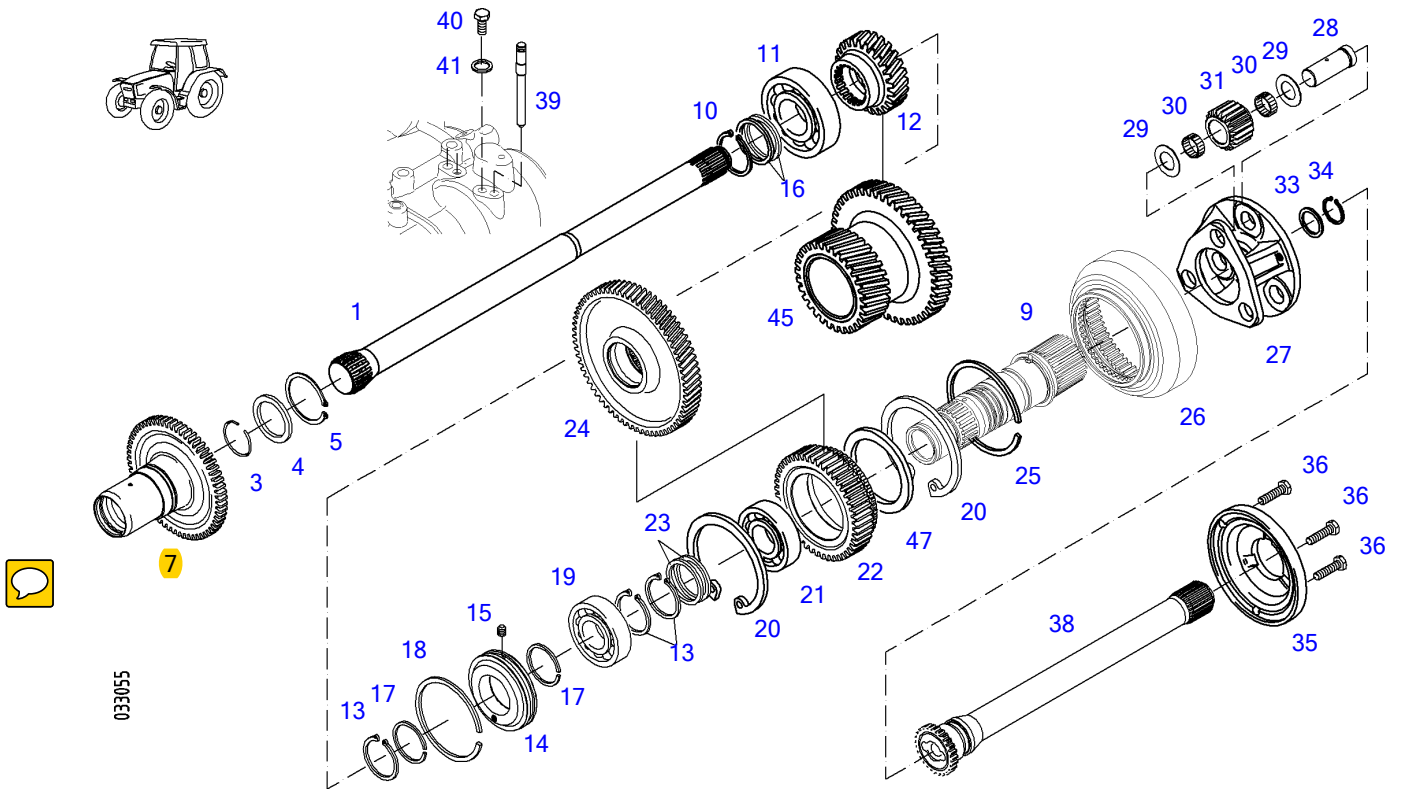


FENDT 820 (731/00101-99999)
33055



Item	Part Number	Qty	Description Comments	Technical Specification
1	718100081082	1	SHAFT	
3	X533212000000	1	LOCKWASHER	DIN 7993-A40
4	916100490040	1	DISC	
5	X530106046000	1	LOCK WASHER	52X2
7			SEE PUMP DRIVE	
9	718100081011	1	SUN GEAR SHAFT *21 NOT AVAILABLE AS SINGLE PART	
10	718100080270	1	CIRCLIP	
11	X620711700003	1	CYLINDER ROLLER BEARING NOT AVAILABLE AS SINGLE PART	
12	718100080051	1	SPUR GEAR *18 NOT AVAILABLE AS SINGLE PART	
13	411100410080	3	CIRCLIP NOT AVAILABLE AS SINGLE PART	
14	718100080290	1	OIL SUPPLY NOT AVAILABLE AS SINGLE PART	
15	X412820606000	1	THREADED PIN	DIN 913 M8X8 45H
16	G001990200830	1	WASHER SET NOT AVAILABLE AS SINGLE PART	
17	X560712800000	2	PLAIN COMPRESSION RING	DIN34118-45X2,5 SH
18	X533819246000	1	LOCKWASHER	85X2,0
19	X620411800003	1	CYLINDER ROLLER BEARING NOT AVAILABLE AS SINGLE PART	
20	X530107946000	2	LOCK WASHER NOT AVAILABLE AS SINGLE PART	DIN 472-85X3
21	X620711800003	1	CYLINDER ROLLER BEARING NOT AVAILABLE AS SINGLE PART	
22	718100081051	1	SPUR GEAR *60 NOT AVAILABLE AS SINGLE PART	
23	G001990200730	1	KIT, WASHER NOT AVAILABLE AS SINGLE PART	45X55
24			SEE PUMP SHAFT	
25	X533821400000	1	LOCKWASHER NOT AVAILABLE AS SINGLE PART	105X2,5
26	718100080200	1	RING GEAR *72 NOT AVAILABLE AS SINGLE PART	
27	718100080130	1	PLANETARY CARRIER NOT AVAILABLE AS SINGLE PART	
28	916100080242	3	BOLT	
29	916100080320	6	DISC	
30	X638611001013	6	NEEDLE RIM	20X26X17
31	718100080101	3	PLANET PINION *25 NOT AVAILABLE AS SINGLE PART	
33	X534537846000	1	SUPPORT WASHER	DIN 988 S25X35
34	X530016001000	1	LOCK WASHER	DIN 471-25X2
35	916100080182	1	COVER	
36	X487527905000	3	HEXAGONAL HEAD BOLT	DIN 933 M8X25-8.8
38			SEE P.T.O. CLUTCH	
39	716100080190	2	PIN	
40	X487527641000	2	HEXAGONAL HEAD BOLT	DIN 933 M8X18-8.8A3L
41	178810030450	2	DISC	
45			SEE ACCUMULATOR SHAFT	
47	718100080280	1	DISC NOT AVAILABLE AS SINGLE PART	